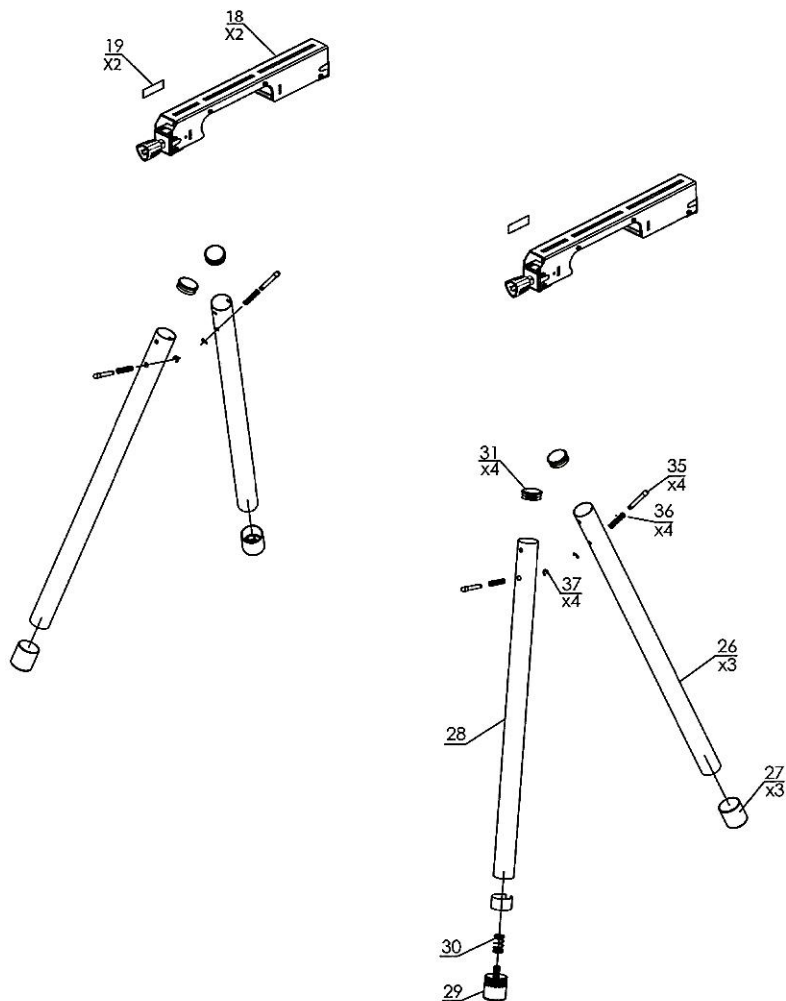
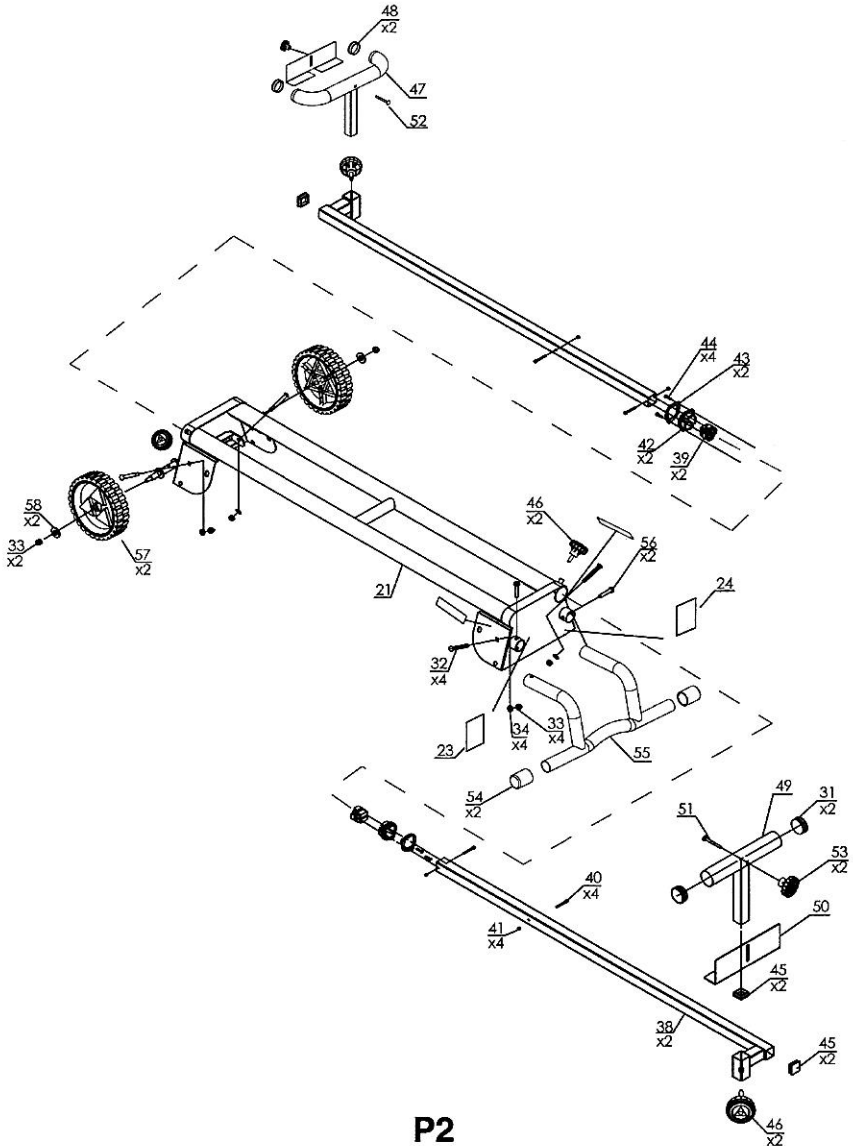


36-137 Miter Saw Stand



36-137 Miter Saw Stand



REPLACEMENT PARTS

ITEM #	DELTA PART #	DESCRIPTION	QTY	ITEM #	DELTA PART #	DESCRIPTION	QTY
18	DPEC004802	Mounting Bracket Assembly	2				
19	DPEC003216	Warning Label	2				
21	DPEC004498	Stand Body Weldment Assembly	1				
23	DPEC004491	Data/Spec Label	1				
24	DPEC004490	Warning Label Stand	1				
26	DPEC004437	Stand Leg	3				
27	DPEC004438	Stand Leg Foot	3				
28	DPEC004439	Stand Leg (Adjustable)	1				
29	DPEC004440	Stand Leg Foot (Adjustable)	1				
30	DPEC004441	Spring	1				
31	DPEC003312	Tube Cap	6				
32	DPEC004653	Carriage Screw M8 X 60	4				
33	***	Lock Nut M8	4				
34	DPEC004443	Flat Washer M8.2 X 18 X 1.5t	4				
35	DPEC004444	Lock Shaft	4				
36	DPEC004445	Compression Spring	4				
37	***	E-Ring (Retaining Ring) 7mm	4				
38	DPEC004446	Extension Rod Assembly	2				
39	DPEC004447	Support Sleeve	2				
40	***	Hex Socket Head Screw M4 X 35	4				
41	***	Lock Nut M4	4				
42	DPEC004463	End Cap Housing	2				
43	DPEC004448	Lock Plate	2				
44	***	Phillips Head Screw M4 X 14	4				
45	DPEC003310	Square Tube Cap	4				
46	DPEC004499	Extension Tube Locking Knob	4				
47	DPEC004500	T Support Rod (Wheel Stand)	1				
48	DPEC004452	T Support Rod Sleeve	2				
49	DPEC004501	T Support Rod	1				
50	DPEC004454	Extension Rod Support Plate	2				
51	DPEC003315	Carriage Screw M6 X 53	1				
52	DPEC004801	Carriage Screw M6 X 60	1				
53	DPEC003311	T Support Rod Locking Knob	2				
54	DPEC004457	Square Tube Cap	2				
55	DPEC004502	Handle	1				
56	DPEC004800	Tri-Roundular Screw M8 X 20	2				
57	DPEC003382	Wheel	2				
58	DPEC003387	Flat Washer M8.2 X 25 X 3	2				

***= Item is standard hardware and should be purchased from a local hardware or home improvement store. Colors may vary.