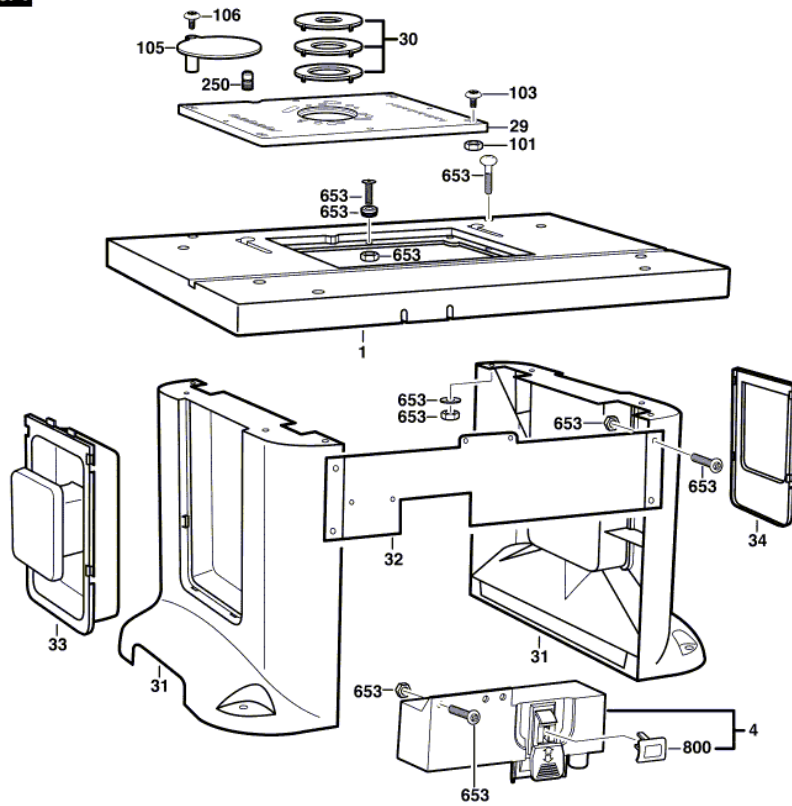




2 610 007 635
Issue 10-05-14
Stand

Fig. /Abb. 1



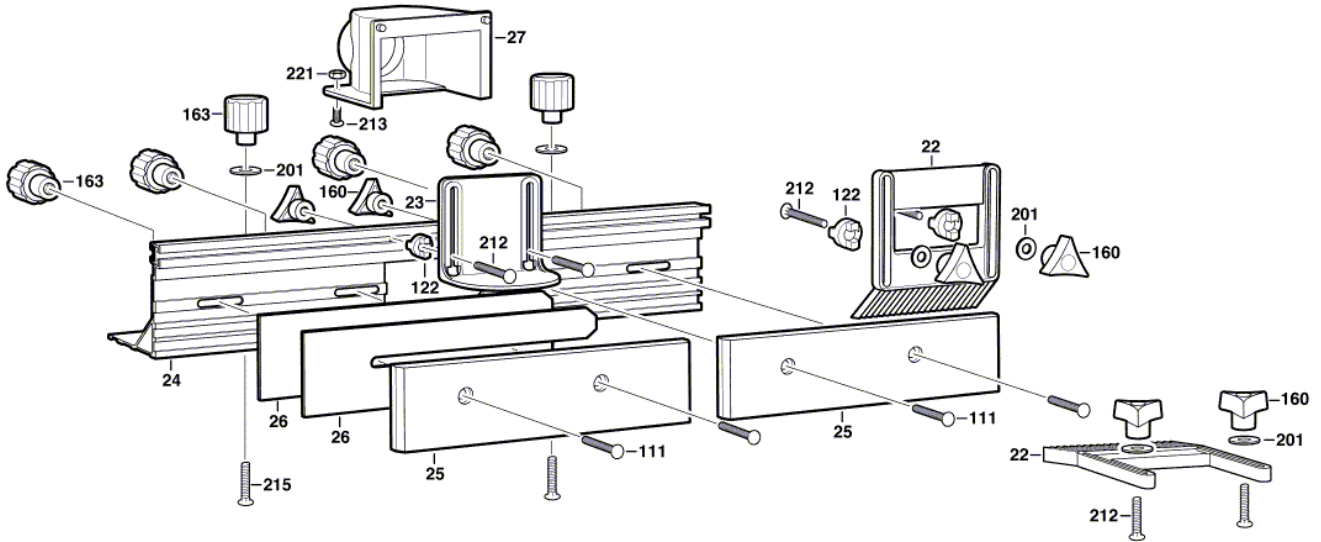
- Motor Mounting Hardware
- 1/4-20 x 1-1/2" (4)
 - 10-24 x 3/4" (3)
 - 10-32 x 3/4" (3)
 - 8-32 x 3/4" (3)
 - 5/16-18 x 3/4" (3)
 - 1/4" (4)
 - 1/4-20 (4)

Änderungen vorbehalten
Modifications reserved
Modifications réservées
Salvo modificaciones



2 610 007 635
Issue 10-05-14
Stand

Fig. /Abb. 2



Änderungen vorbehalten
Modifications reserved
Modifications réservées
Salvo modificaciones



Pos.	Part Number	Description	Pos.	Part Number	Description
1	2 610 929 110	Table			
4	1 619 X04 461	Switch Unit			
22	2 610 927 685	Feather board			
23	2 610 927 687	Protective Guard			
24	2 610 930 995	Router table fence			
25	2 610 927 689	Faceplate			
26	2 610 927 690	Shim Plate			
27	2 610 934 336	Dust Chamber			
29	2 610 938 414	Adapter Plate			
30	2 610 915 125	Insert ring set			
31	2 610 915 128	Table Leg			
32	1 619 X04 968	Front Panel			
33	2 610 915 133	Cord			
34	2 610 915 132	Panel			
101	2 610 927 677	Stop Nut			
103	2 610 929 301	Cyl Head tapping screw			
105	2 610 915 134	Protective Guard			
106	2 610 927 712	Screw			
111	2 610 923 892	Round-Head Bolt			
122	2 610 927 743	Spacer			
160	2 610 923 283	Knob			
163	2 610 923 280	Knob			
201	2 610 927 724	Plain Washer			
212	2 610 927 718	Round-Head Bolt			
213	2 610 923 896	Countersunk-Head Screw			
215	2 610 923 897	Round-Head Bolt			
221	2 610 923 439	Combi-Nut			
250	2 610 927 738	Guiding bolt			
653	2 610 927 739	Accessories Bag			
654	2 610 927 740	Parts Set			
659	2 610 001 643	Hexagon Socket Screw Key			
800	1 619 X04 172	Switch Key			